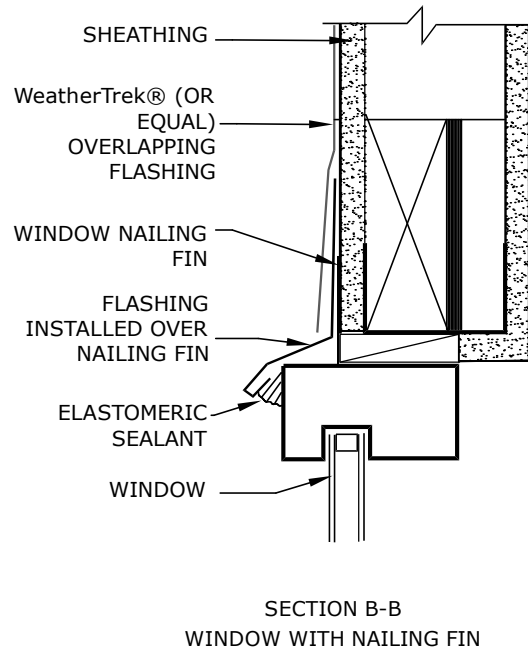
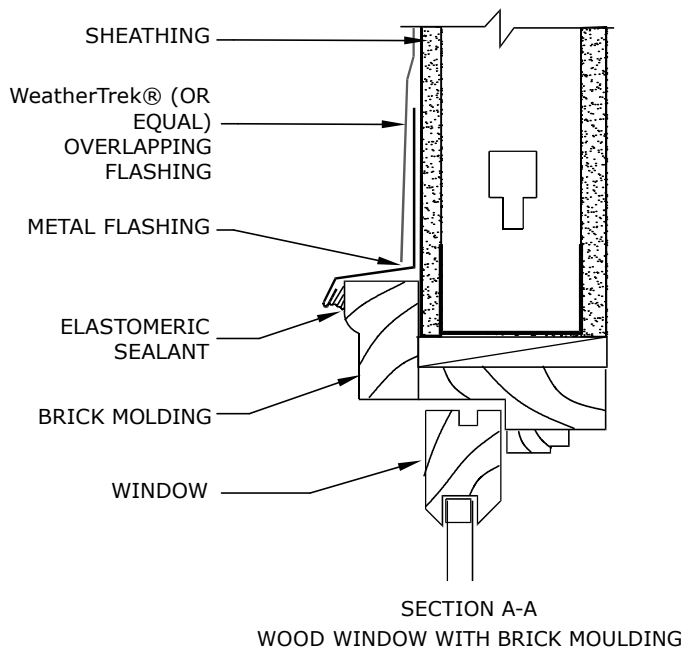


### STEP 9: METAL HEAD FLASHING

FLASHING SHOULD BE FABRICATED IN THE PROFILE SHOWN. LENGTH OF FLASHING IS 1" (25 MM) LONGER THAN THE WIDTH OF THE WINDOW FRAME. END DAMS SHOULD BE TURNED UPWARD 5/8" (16MM) AS SHOWN.



### STEP 10: INSTALLATION OF METAL FLASHING

## DDTS G1.03C DTS HERITAGE ROUGH OPENING PROTECTION

DECOPLAST DTS HERITAGE - 6/1/2016

#### NOTES:

1. The length of the flashing is dependant on the type of window used.
2. Sections A-A and B-B illustrate two types of windows.
3. Flashing should be installed as illustrated. For any unusual conditions, please contact DECOPLAST Technical Services.

Disclaimer: The design, specifications, and construction shall comply with all local building codes and standards. Decoplast installation guidelines are for general information and guidance only and Decoplast specifically disclaims any liability for the use of this design, and for design, engineering, or workmanship of any project. The assembly shall be designed to prevent condensation within the assembly. The designer and the user shall provide final drawings and specifications. Products shown other than those manufactured by Decoplast are shown for clarity of the Decoplast product only. Contact the manufacturer of such other products for installation instructions.