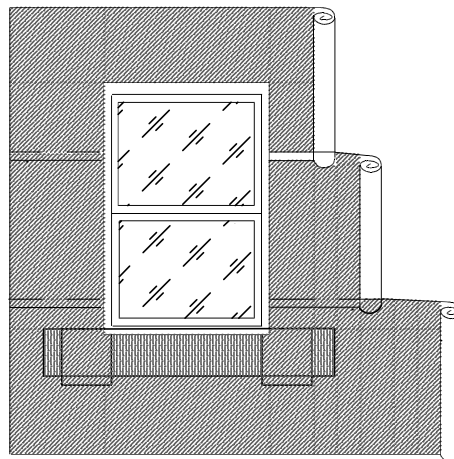


STEP 11: INSTALLING ROLLS OF WeatherTrek® (OR EQUAL)

INSTALL ROLLS OF WeatherTrek® HORIZONTALLY IN A SHINGLE FASHION. EACH SUCCEEDING COURSE SHOULD OVERLAP THE PREVIOUS COURSE BY 2" (50 MM) MIN.

NOTE: THE STRIPS OF WeatherTrek® PREVIOUSLY INSTALLED AT THE SILL OVERLAPS THE HORIZONTALLY INSTALLED ROLLED WeatherTrek® BELOW THE SILL FOR POSITIVE DRAINAGE.



STEP 12: INSTALLING ROLLS OF WeatherTrek® (CONTINUED)

CONTINUE TO LAP EACH SUCCEEDING COURSE AS ILLUSTRATED FOR POSITIVE DRAINAGE.

WHERE VERTICAL SPLICES OCCUR, LAP THE WeatherTrek® A MINIMUM OF 6" (150 MM). VERTICAL SPLICES IN THE BUILDING PAPER SHOULD NOT OCCUR WITHIN 2 FEET (600 MM) OF THE WINDOW JAMBS.

NOTE THAT THE SUCCEEDING COURSES LAP OVER THE REMAINDER OF THE WeatherTrek® STRIPS AND THE METAL FLASHING AT THE HEAD.

DDTS G1.03D DTS HERITAGE ROUGH OPENING PROTECTION

DECOPLAST DTS HERITAGE

NOTES:

1. The length of the flashing is dependant on the type of window used.
2. Sections A-A and B-B illustrate two types of windows.
3. Flashing should be installed as illustrated. For any unusual conditions, please contact DECOPLAST Technical Services.

Disclaimer: The design, specifications, and construction shall comply with all local building codes and standards. Decoplast installation guidelines are for general information and guidance only and Decoplast specifically disclaims any liability for the use of this design, and for design, engineering, or workmanship of any project. The assembly shall be designed to prevent condensation within the assembly. The designer and the user shall provide final drawings and specifications. Products shown other than those manufactured by Decoplast are shown for clarity of the Decoplast product only. Contact the manufacturer of such other products for installation instructions.